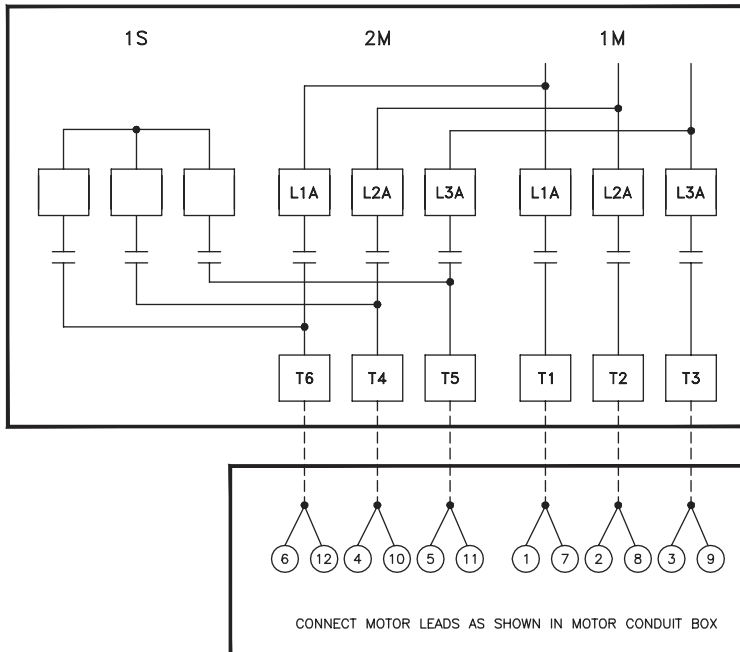


**Motor Connections • FTA1300
Wye-Delta Controllers • FTA1350**



FOR SINGLE VOLTAGE 12-LEAD
WYE-DELTA MOTORS

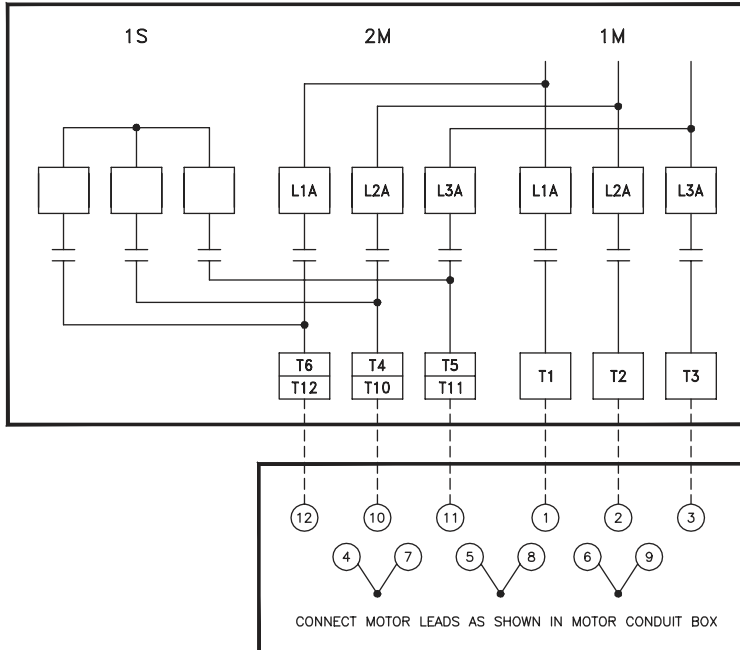
- OR -

FOR DUAL VOLTAGE WYE-DELTA
MOTORS CONNECTED TO OPERATE
ON THE **LOWER** OF THE TWO VOLTAGES
200-208 FOR 200/400V RATED MOTORS
OR 220-240 FOR 230/460V RATED
MOTORS.

SIX (6) WIRES REQUIRED BETWEEN
MOTOR AND CONTROLLER.

IMPORTANT:

THIS DRAWING IS FOR GENERAL
INFORMATION ONLY. REFER TO
MOTOR CONNECTION DIAGRAM
FOR SPECIFIC WIRING
ARRANGEMENT.



FOR DUAL VOLTAGE WYE-DELTA
MOTORS CONNECTED TO OPERATE
ON THE **HIGHER** OF THE TWO VOLTAGES
440-480 FOR 230/460V RATED MOTORS
OR 380-415 FOR 200/400V RATED
MOTORS.

SIX (6) WIRES REQUIRED BETWEEN
MOTOR AND CONTROLLER.

NOTES:

1. THREE (3) LEAD AND NINE (9)
LEAD MOTORS **CANNOT** BE USED
FOR WYE-DELTA STARTING.
2. TWELVE (12) LEAD PART
WINDING MOTORS **CANNOT** BE
USED FOR WYE-DELTA STARTING
AT 240/230V.

REV. A	DESCRIPTION: ADDED SINGLE VOLTAGE, 12-LEAD, Y-D MOTORS	DATE 11/22/00	APVD. TEF
MOTOR CONNECTIONS FOR FTA1300 AND FTA1350			
WYE-DELTA CONTROLLERS			
DRTM. JMW	ENGR. TEF	DWG. NO. NS1300-01	REV. A
DATE 09/12/95			

LOCATION: A-K95128

